

SAFE-O-TRONIC® *access*  
Electronic Identification and Locking System



Next level *access*

SAFE-O-TRONIC® Door Locking System



# Next level

A multitude of flexible organised solutions for doors and furniture makes access management in commercial properties of all kinds even more efficient.

You will be amazed how easily the most different user groups can be managed and how you can optimize your locking system at any time for different requirements.



# access



reddot design award  
winner 2010





# SAFE-O-TRONIC®

Electronic Identification and Locking System

SAFE-O-TRONIC® access sets new standards all over the world when it comes to the protection and organisation of door locking systems. The PIN code and RFID technology are combined in a unique way. Thanks to future-oriented NFC technology utilisation is even possible by mobile phone. Perfectly matched to this: the appropriate product line for furniture.



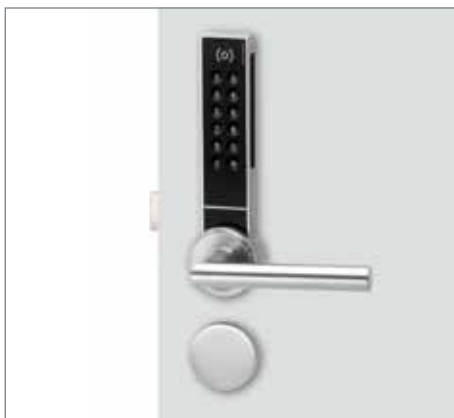
# *access*

## **Keyless locking comfort**

Whether in hotels, clinics, universities, schools or industry and administration, SAFE-O-TRONIC® access replaces the normal key systems with the comfort of electronic locking so that time-consuming key management is finally a thing of the past. Discover the various organisational benefits for your field of application - cost and time savings included. The appealing design will adapt perfectly to your interior style.



# 3-in-1 locking comfort for doors



## Trend-setting door lock

With its wireless door mounted design SAFE-O-TRONIC® access makes organisation of electronic locking systems as easy and convenient as never before.

For more than a decade SAFE-O-TRONIC® has been the leading brand for innovative electronic quality locking devices based on RFID technology for cabinets and safe-deposit boxes. SAFE-O-TRONIC® locking systems have outstandingly proved their worth in many thousands of objects around the globe. With the SAFE-O-TRONIC® access LS product line the market and innovation leader for intelligent cabinet locks has already set new standards in electronic furniture locking systems. The corresponding product line for doors, SAFE-O-TRONIC® access DS, followed on the basis of years of experience involving electronic door locking systems.

## Unique possibilities:

### • Flexible management

Due to the unique combination of PIN code and contactless RFID technology you can easily organise different security levels and user groups (e.g. VIPs, club members, one-day guests or personnel).

### • Easy to operate

Just touch the key fields lightly (capacitive technology) and that is all that is needed to enter the personal PIN code. RFID data carriers are simply held in front of the reader for identification.

### • Use a mobile phone for locking

Thanks to the future-oriented NFC technology a mobile phone could turn into door key (on request).

### • Online organisation of offline locking systems

The card-based SAFE-O-TRONIC® Cyber-Net network offers online convenience without wiring the doors.

### • Personalise

Whether it's the shape, colour, application of logo or lettering, SAFE-O-TRONIC® access is open for your individual design wishes. You can make up the door fitting sets to suit your style according to your specific needs. Thus your door locking system blends in ideally with your architectural and design concept.

### • Simply adapt standards

Because it is wireless, SAFE-O-TRONIC® access can be fitted to standard profile cylinder or latch lock with and without a lock bolt depending on the design.

**Capacitive keypad for a high degree of operational ease**

Thanks to capacitive technology just lightly touching the key fields is enough to operate the lock via the PIN code. The capacitive keypad does not wear.

**Convenient user guidance** via LED strip and in addition by means of an acoustic signal.



**Reader for RFID-technology**

Simply hold the data carrier in front of the reader for use with the RFID card.

**Intuitive operation**

Operation is child's play due to orientation towards the customary mobile phone sign language.

**Intelligent battery management**

Long-term energy supply is by means of favourably priced alkaline batteries. Fast and simple battery change is carried out on the outside of the door using a special tool. The battery condition can be read out.

# Flexible use for doors on guest rooms and function rooms



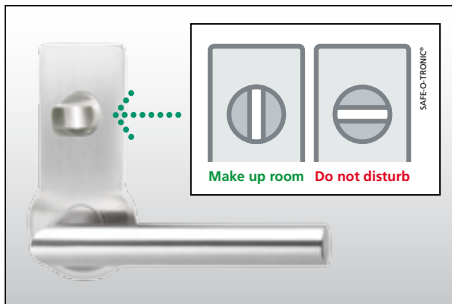
**Digital door fittings and cylinders can be combined as desired within the locking system. Thus you are able to equip every door according to your special convenience and security requirements. Door fittings are, of course, also available for fire rated and smoke control doors as well as for doors according to DIN EN 179.**

## ◀ Guest room doors

Fast and simple opening and locking by means of a door handle is the ideal solution wherever the focus is on locking security and easy operation at the same time. This applies, for instance, to doors on guest rooms in hotels, residences, residential homes and clinics or for doors in administrative buildings with access for the general public. The convenient operation is also ideal for the handicapped. The "make-up room" or "Do-not-disturb"-function can be activated by the guest easily – just turn the turning knob.

## Functional room doors ▶

For functional room doors, outer doors and glass doors electronic RFID cylinders (SAFE-O-TRONIC® access CS) are available.







Standard version (with blind rose)



Version with emergency opening cylinder

# Customising opportunities



**Whether it's the shape, colour, application of logo or lettering, SAFE-O-TRONIC® access is open for your individual design wishes. You can make up the door fitting sets to suit your style according to your specific needs. Thus your door locking system blends in ideally with your architectural and design concept.**

## **Individual front panels**

As an option, we can design the look of your SAFE-O-TRONIC® DS with your image motives. Let your creativity run wild!

## **Logo application**

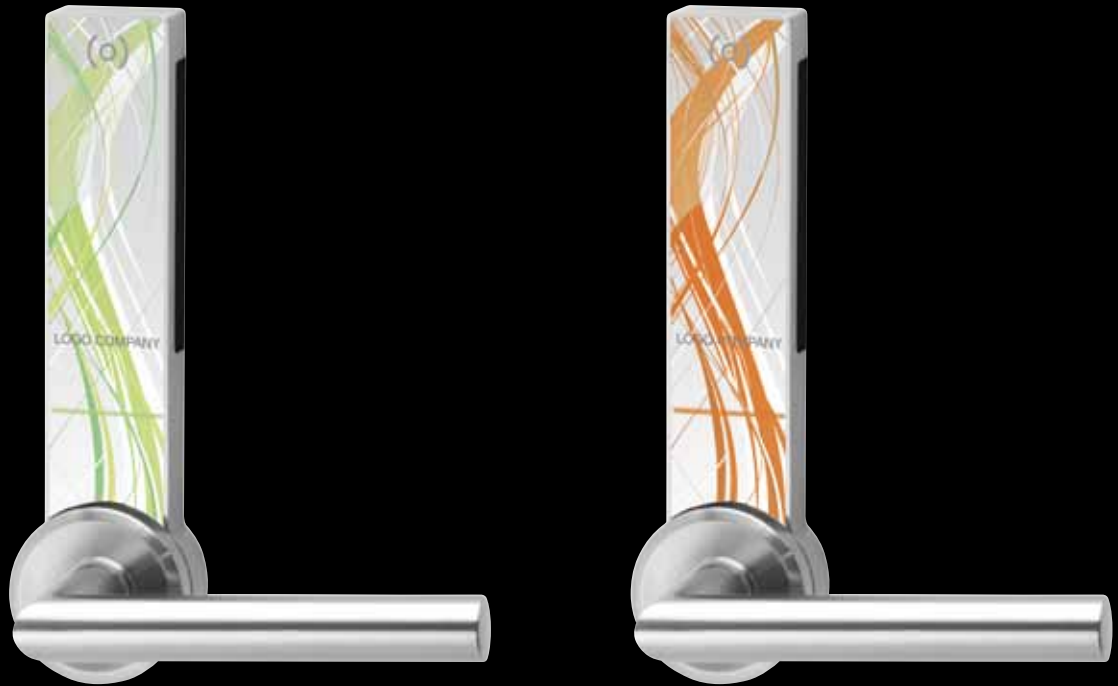
Your company logo on the door fitting communicates your brand upon access. Numbering of the door and custom designs and colours, the possibilities are endless.

## **High quality finishes**

First-class finishes made of stainless steel and the associated lever handle and rose sets adapting classical and modern furnishing styles.



**INDIVIDUALISATION**



# Various door fitting solutions



## Handle varieties

The modular design concept of SAFE-O-TRONIC® access also gives you greatest possible creative leeway upon selection of door handles and other mounting components. In addition to a small but classy choice of handle varieties from our range, you can

combine SAFE-O-TRONIC® access with door handles of your choice. Special decorative plates facilitate simple replacement of existing protective plate mountings. It is also possible to combine SAFE-O-TRONIC® access with mechanical lock cylinders

without any difficulty (e.g. as emergency opening cylinder).



FITTING COMPONENTS



# Custom-fit for every door



## Simple project planning and installation

SAFE-O-TRONIC® access DS door locking systems are suitable for customary profile cylinder or latch locks and can be installed quickly and easily without any kind of wiring – even during ongoing operation. SAFE-O-TRONIC® access already makes work easy for you during the project planning phase:

## Rosette solution means you are not dependent on the distance of mortise lock

You are not dependent on the distances to your mortise locks with SAFE-O-TRONIC® access.

## Not dependent on the thickness of the door

The thickness of the door is also irrelevant. SAFE-O-TRONIC® access allows flexible adaptation to door thicknesses of 38 to 86 mm (other door thicknesses on enquiry).

## Free selection of mounting direction

SAFE-O-TRONIC® access door locking systems can be used on right and left doors. The door direction does not have to be taken into account during the site survey.



Emergency opening cylinder (as an option)

**DIMENSIONS**



# Keyless Identification



## Keyless - via PIN code

The personal PIN code can be entered easily by touching the key fields lightly. Programming of the locking system with master codes is also available as a time-saving option using a RFID card.



## Contactless via RFID card

It is enough to hold the data carrier in front of the reader for utilisation via the RFID data carrier (e.g. card, bracelet or keyring). All RFID technologies in accordance with ISO 14443 A (e.g. MIFARE) are available.



## Future-oriented – via mobile phone

Modern mobile phones with NFC technology can also be used as a “key” (on request). This saves issuing and managing data carriers and opens up almost endless opportunities for you.

Overview of the identification possibilities			
Identification	SAFE-O-TRONIC® access		
	DS 200	DS 300	DS 400
<b>User</b>			
PIN-Code	•		•
RFID-Card		•	•
NFC (on request)		•	•
<b>Master</b>			
PIN-Code	•		•
RFID-Card	•	•	•



**PRODUCT LINE**



**SAFE-O-TRONIC®  
DS 200**  
PIN-Code-  
door locking system



**SAFE-O-TRONIC®  
DS 300**  
RFID- / NFC-  
door locking system



**SAFE-O-TRONIC®  
DS 400**  
Combined  
RFID- / NFC- and  
PIN-Code-  
door locking system

# Flexible organisation opportunities



## Time-saving programming

Thanks to convenient Lock Manager software, reader and Systemkey-Set the SAFE-O-TRONIC® access locking system can be put into operation easily using a PC. A wireless communicator is used to transfer data quickly and easily to the door locks. In the case of small locking systems, programming can also be carried out without a PC and using a programming set.

## Flexible organisation

Even in the case of organisational changes you will still have a flexible grip on the widest range of user groups: e.g. hotel guests who have just arrived, use a PIN code for locking that is communicated beforehand (quick check-in). Other guests use their RFID room card and employees use their personnel card. Combined use via RFID card and an additional PIN code is available for extended security requirements.

## Put a time limit on access

Time restrictions on use and time zones can be set up quickly and easily by a mouse click.

## “Please do not disturb” functions

SAFE-O-TRONIC® access offers varied solutions for guest room doors that the guest can use to advise that he does not want to be disturbed.

## Convenient monitoring

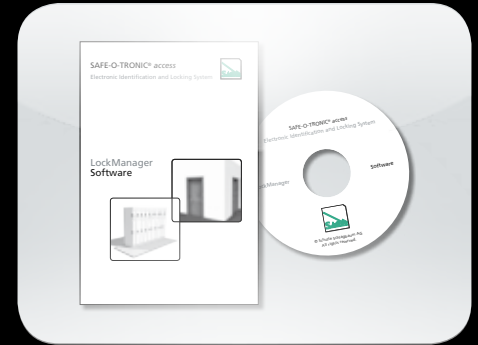
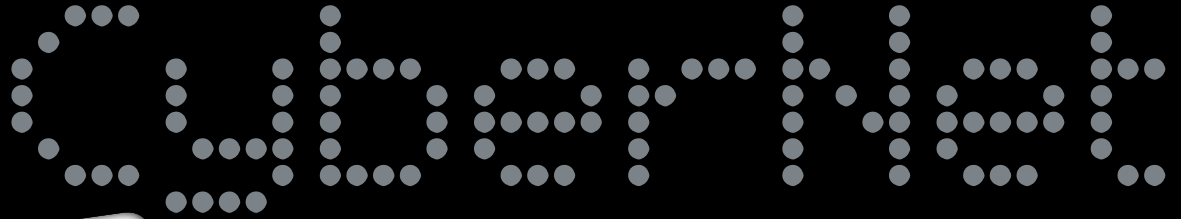
For monitoring purposes the locking procedures can be logged to the minute, printed, evaluated and accounted for beyond doubt.

## Organise offline locking systems online

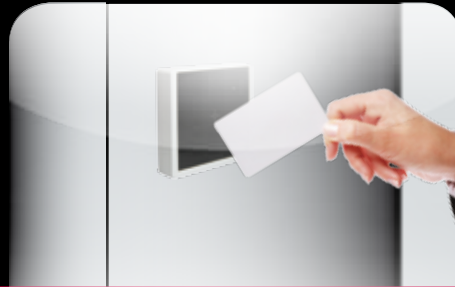
The card-based network SAFE-O-TRONIC® CyberNet provides online convenience for the automatic up-to-date allocation of locking authorisations without wiring the doors. Time restrictions on access for the door locks are saved effectively on the RFID data carrier at central online terminals (so-called CyberSpots). Log data and battery status can be read out easily. During retrofitting RFID data carriers that are already in circulation can be read in and programmed automatically. Lost “keys” are barred automatically.

Overview Organisation Possibilities			
Organisation	SAFE-O-TRONIC® access		
	DS 200	DS 300	DS 400
User			
PIN	•		•
RFID		•	•
PIN or RFID			•
PIN + RFID			•
NFC (on request)		•	•
Programming			
via Programming-set (PC not necessary)	•	•	
via SystemKeys	•	•	•
via Programmingdevice (Communicator)		•	•
Timefunctions			
Time limitation	•	•	•
Monitoring			
Locking logs	•	•	•

## CARD-BASED NETWORK



Server



Cyberspot - online



Locking system - offline

# Wide range of application areas



**At real estate buildings of all kinds SAFE-O-TRONIC® access offers a wealth of intelligent possibilities in order to organise locking systems efficiently.**

## Hotels

Brand profiling, innovative design concepts and the use of mobile technologies determine the future trends in the hotel sector. With 3-in-1 locking convenience via PIN code, RFID card and possible NFC mobile phone SAFE-O-TRONIC® access guarantees a future-proof investment decision. Quick check-in (e.g. via PIN code or mobile phone) relieves the strain on reception and boosts guest service. Integration into front office and guest management systems, specific “please do not disturb” functions and optional emergency opening cylinders are taken into account in the system. Guest room and function room doors as well as cabinets (e.g. in the spa changing rooms) can be managed easily and resource-saving via the same software. Varied individualisation possibilities contribute to communicating the hotel brand upon entry and to consistently implementing the hotel's own design concept.

## Clinics and hospitals

Integrated SAFE-O-TRONIC® access door and furniture locking systems are ideally tailored to the requirements of modern clinics and patient hotels. This makes control and management of locking and access rights particularly easy for patient rooms and functional rooms.

Card-based networks (SAFE-O-TRONIC® access CyberNet) provide online comfort for the automatic, up-to-date allocation of locking authorisations without wiring doors and cabinets.

This also applies, e.g. to clinic bedside cabinets, clothes lockers, pigeon holes, bandage trolleys, drug cabinets and laboratory furniture.

Integration into identification systems for employees and patients can be carried out without any difficulty.

## Retirement communities

A high level of user friendliness – also for the handicapped – as well as easy integration into the patient emergency call and localisation systems via RFID data carrier notably qualify SAFE-O-TRONIC® access for use in retirement communities and nursing homes.

## Universities and schools

The student or pupil identification card has already taken on the key function in numerous universities, colleges and other educational establishments.

SAFE-O-TRONIC® access has the suitable lock solution in store for doors and furniture, including lockers and teaching aids and document cabinets of all kinds. Favourably priced, retrofit SAFE-O-TRONIC® access door locking systems in schools ensure that the locking authorisations for every room (including WC and sports facilities) and for every user (e.g. school classes, clubs, in-house and external supervision personnel) can be organised flexibly via RFID school identification, which is also used for cashless canteen accounting. Also for use with special classroom mortise locks that protect against unauthorised access during lessons.

## Industry and administration

The employee identification card that is already in use for staff work time logging or online access control, also serves in industrial and administration objects as a time-saving and cost-saving “key” for doors and cabinets of all kinds with automatic up-to-date locking authorisation. When retrofitting, the identification cards that are in circulation are automatically approved for the SAFE-O-TRONIC® access locking system at online terminals (CyberSpots).

## APPLICATION AREAS



Hotels



Clinics & hospitals



Industry & administration



Schools



Universities



Retirement communities and nursing homes

# The ideal solution for every demand



**Whether it is costs, convenience, security or design, SAFE-O-TRONIC® access lives up to all aspects of a competent investment decision.**

## **Arguments for the cost-conscious**

- Easy and time-saving project planning and installation (not dependent on the distance of the mortise lock and direction of door).
- Use of standard handles and rosettes.
- Combination of models with and without rotary knob for bolt operation at an object.
- Widespread inexpensive RFID standard data carrier according to ISO 14443A (e.g. MIFARE).
- No key required – one card for everything.
- Can be integrated into data systems.
- Access rights that allow flexibility at any time during organisational changes minimise your follow-up costs.
- flexibility when it comes to identification (RFID / NFC or PIN code).
- The long-term power supply using favourably priced standard batteries minimises the operating costs as does the capacitive keypad that is not subject to wear.

## **Arguments for the convenience-conscious**

Operating comfort comes high on the list of priorities in every respect as far as SAFE-O-TRONIC® access is concerned, e.g.:

- Simple operation using a door handle – also for the handicapped.
- Touch keys that allow precise entry of the code even when touched lightly.
- Contactless alarm sensor for fast identification via RFID card.
- Intuitive user guidance with visual and acoustic acknowledgement.
- Easy battery change on the outside of the door (battery condition can be read out).
- Online convenience for offline RFID locking systems due to card-based network (SAFE-O-TRONIC® CyberNet).

## **Arguments for the security-conscious**

- Due to the innovative combination of the PIN, RFID and NFC identification possibilities SAFE-O-TRONIC® access increases security for users and operators in equal measure. Thus, e.g. security is also guaranteed permanently following the loss of a card.
- Optional dead bolt security.
- For fire rated and smoke protection doors as well as for panic locks according to - DIN EN 179 and DIN EN 1125.

- A blocking period protects against unauthorised attempts to open using a PIN code.
- If „the worst comes to the worst“ the locking procedures can be read out for monitoring purpose and being accounted beyond doubt.
- Service concepts that are attuned to your individual requirements optimise the operational safety of your locking system during every project phase.

## **Arguments for the design-conscious**

- The clear, structured and function-oriented design of the SAFE-O-TRONIC® access door locking systems was awarded the iF product design award 2011 and adapts perfectly to classic and modern styles.
- At the same time it is open to customer-specific individualisations, be it by means of printable front panels or use of handle fitting sets.

## ARGUMENTS



For the cost-conscious



For the security-conscious



For the convenience-conscious



For the design-conscious

# Technical data

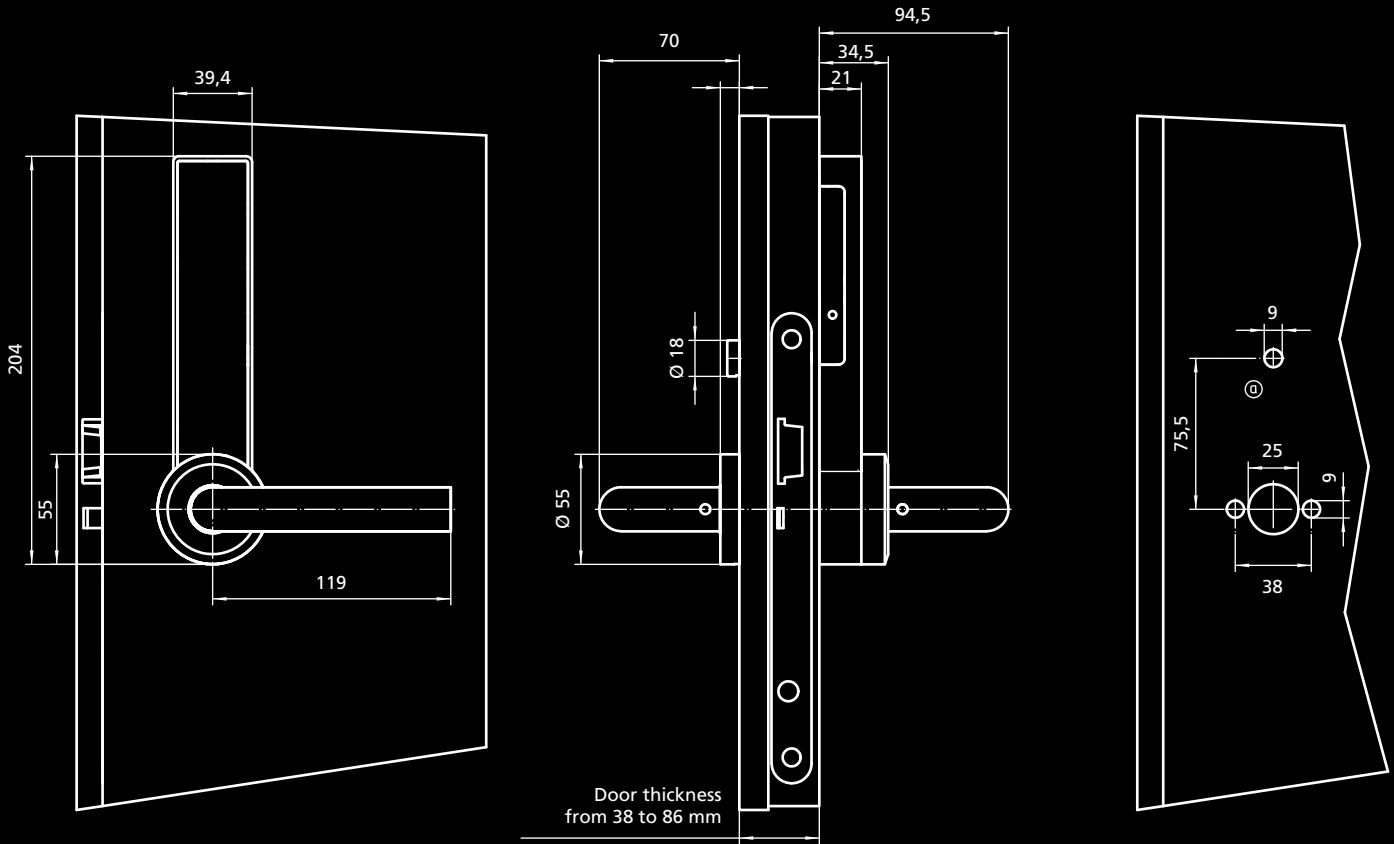


SAFE-O-TRONIC® access DS	
Operating modes	Serial numbers / Identification card numbers / locking groups
indicators	2 x LED green: authorised 2 x LED red: not authorised
acoustic signal	Signal generator
Battery	Battery pack: 3 x alkaline-cell (AAA)
Battery life time	3 years based on 30 lockings per day
Temperature ranges	
Function	0 bis +60°C
Storage	-15 bis +60°C (battery life time limited at ≤ 0°C)
Relative humidity	10 - 90% non condensing
Protection class acc. to DIN EN 60529	IP 43
Weight	Approx. 750g
Housing dimensions excluding rotary knob / decorative rosette (H x W x D)	204mm x 55mm x 21mm
Housing	Brushed satin stainless steel
Colour of control panel	Black / as an option: individually
System type	Stand-alone
Max. number of media to be managed	20.000 per lock / per locking system
Max. number of locks to be managed	65.000 per locking system

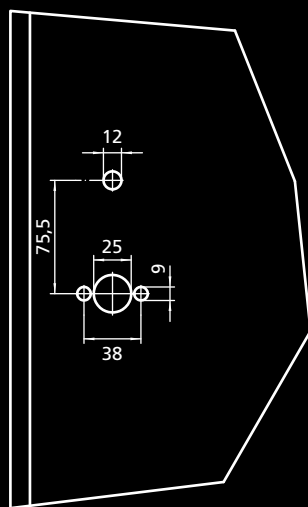
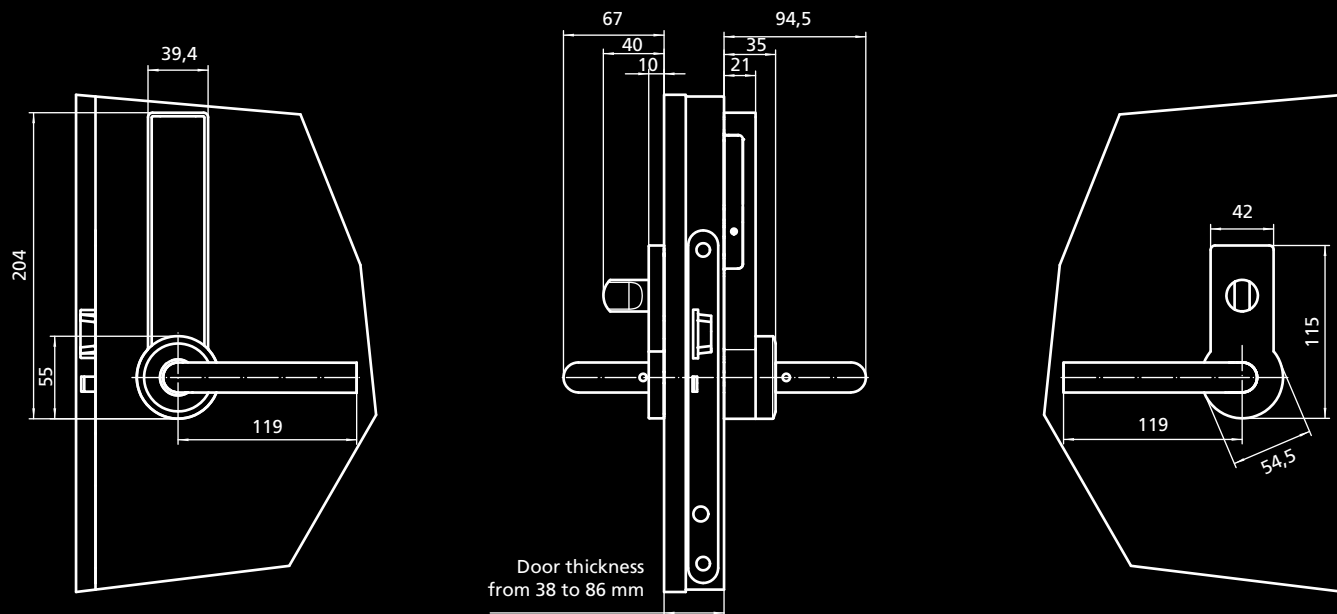
SAFE-O-TRONIC® access DS	DS 200	DS 300	DS 400
<b>Identification</b>			
PIN (min. 4 digits)	•		•
RFID ISO 14443 A – MIFARE (Ultralight, Classic 1k, Classic 4k, DESfire EV1)		•	•
NFC (on request)		•	•
<b>Accessories</b>			
Programming set	•	•	
SystemKey set	•	•	•
TestKey	•	•	•
USB Reader	•	•	•
Lock Manager software	•	•	•
Communicator		•	•
Terminals (for surface fitting or flush-mounted fitting)		•	•
<b>Miscellaneous</b>			
Contactless alarm sensor		•	•
Cut-off time against unauthorised attempts at opening	•		•
Locking log memory for 450 entries	•	•	•
Card-based network (SAFE-O-TRONIC® access CyberNet)		•	•
Office mode		•	•
As an option: Do-not-disturb-function		•	



# DIMENSIONAL DRAWING

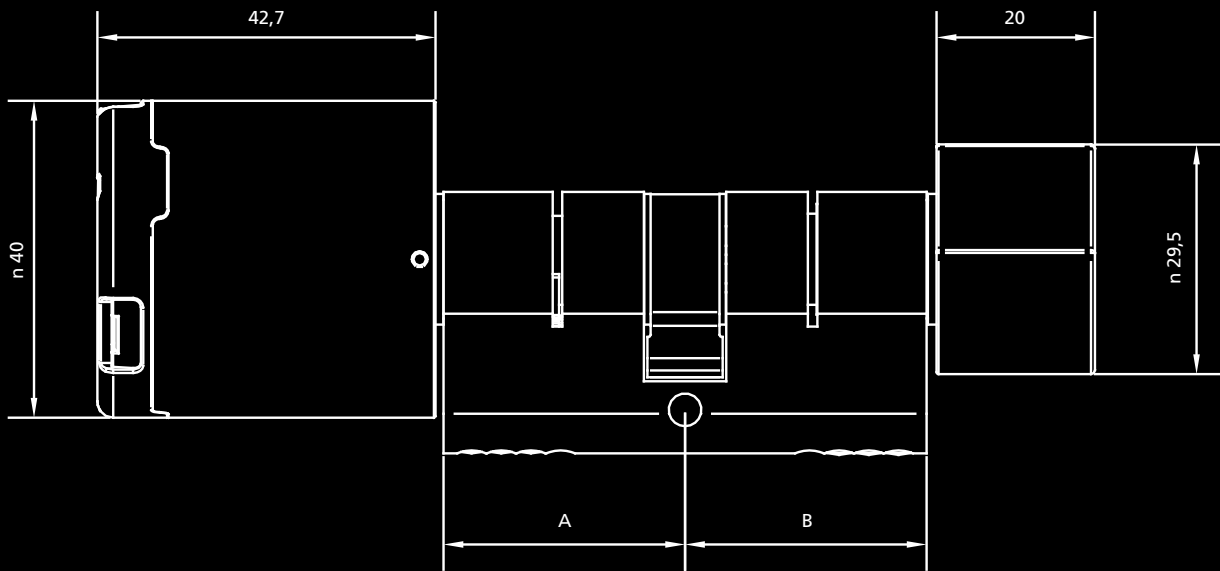


Door locking system standard model



**Door locking system with Do-not-disturb-function**

# DIMENSIONAL DRAWING



RFID cylinder

# Standard solution for doors and furniture



**SAFE-O-TRONIC® access offers you an integrated organisational solution for your door and cabinet locking systems. This makes the control and administration of locking and access rights particularly easy and efficient.**



## **Flexible organisation of cabinets and doors**

The same identification possibilities that can be combined flexibly in the same way as for your door locking systems (PIN code, RFID and NFC), are available for the organisation of your furniture locking systems (e.g. office cupboards, compartments for valuables, laboratory, clothes and bag cabinets).

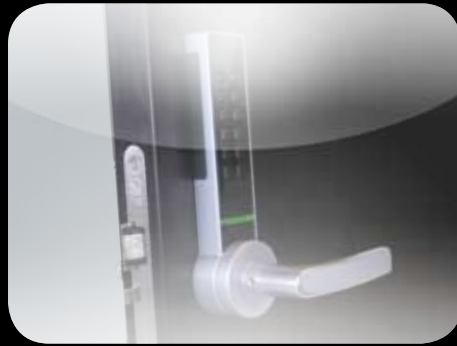
## **Efficient system management**

You can programme and manage your door and furniture locking systems easily per mouse click via standard software. Even in the case of organisational changes you always have all the current relevant data for your locking systems under control which saves time and costs and avoids time-consuming reconciliations and multiple entries.

## **Simple integration into data systems**

SAFE-O-TRONIC® access is open at all times for the integration of your door and furniture locking systems into other data systems (e.g. for access control, staff work time logging, cashless settlement or guest management). Various hardware and software components are available to this end ranging from XML and CSV interfaces and data exchange up to software integration kits for integration into external or own readers. Special interfaces are available for integration into hotel front office systems.

**ROOM EXAMPLES**



# System landscape



**SAFE-O-TRONIC® access offers a complete system landscape for integrated organisational solutions with components that are ideally coordinated in function and design.**

## Door locking systems

Within the bounds of flexible concepts for room use SAFE-O-TRONIC® access DS holds the ideal solutions for interior doors of all kinds. This applies to guest rooms, offices and including smoke control and fire rated doors as well as panic locks according to DIN EN 179 and DIN EN 1125.

## Digital lock cylinders

Electronic lock cylinders (SAFE-O-TRONIC® access CS) that are fully integrated into the Lock Manager software are available for functional room doors, exterior doors or all-glass doors. They are programmed via the same user interface.

## Furniture locking systems

The SAFE-O-TRONIC® access LS furniture locking system ideally complements the door locking system. Whether clothes cabinets, lockers, office or other storage furniture, SAFE-O-TRONIC® access replaces the customary cam locks with electronic locking comfort, so that time-consuming lock management is finally a thing of the past. The 3-in-1 locking comfort per PIN code, RFID card and possible NFC characterises the furniture locking system in the same way as the door locking system. In addition there are intelligent organisational solutions for the optimisation of cabinet capacities. With a convenient time control it is possible to automatically open or lock cabinets to protect them against undesirable reservation. A special emergency opening control protects cabinet users and personnel against false accusations.

## Terminals

On-wall or in-wall mounted terminals in the form of RFID wall readers ensure triggering of electronic devices for access clearance, e.g. electric door openers, motor locks, turnstiles, roller shutters, lifts or parking barriers. The terminals (SAFE-O-TRONIC® access TS) are designed for offline and online operation (as so-called CyberSpots). Terminals in the form of table readers are connected directly to a PC and are used, for instance, for cashless settlement at points of sale, at cash desks or receptions.

**All SAFE-O-TRONIC® access system components can be integrated reliably into external systems via interfaces and can be managed easily via the Lock Manager software.**



Door locking system



Furniture locking system



Terminals

# Service



The SAFE-O-TRONIC® access door and furniture locking systems are characterised by easy handling, a high level of operational safety, user friendliness and minimum maintenance effort. We are able to offer you a comprehensive range of services beyond this for optimum system availability during every phase of life of your project. Our competent service team would be delighted to compile your individual carefree package. Here is an overview of our range of services offered:

Overview of services
<b>Consulting</b>
Management consultation
Project planning
Door survey
Technical consultation on site
Door sampling
Support during integration into data system
<b>Coding service provided by the factory</b>
Coding of the locking devices in the factory
Coding of the RFID data carriers in the factory
<b>Individualisation</b>
Numbering (for cabinets only)
Marking with a logo
Customised adaptations
Printing front panels

## On-site service Assembly /

Installation
Modification of existing doors
Commissioning
Configuration
On-site coding service for the locking devices
On-site coding service for the RFID data carriers

## Self-help training

Partner training
On-site customer training
Customer training in the factory

## After sales service

Phone support during business hours
Service hotline
Remote maintenance
Update service for Lock Manager software
Battery service
Service for spare parts and consumables





Promoted by the Bundesministerium für  
Wirtschaft und Technologie (German Federal  
Ministry of Economic Affairs and Technology)  
on account of a resolution passed by the  
Deutscher Bundestag (German Bundestag)



**CEMAG-GROUPE**

7, rue Gaston Prétot – Parc d’Activités des Courts Cantons  
25200 Montbéliard – France  
Tél. : +33 (0)3 81 32 19 95 – Fax : +33 (0)3 81 94 34 12  
Mobile : +33 (0)6 09 59 13 49  
Mail : [g.chauvez@cemag-groupe.com](mailto:g.chauvez@cemag-groupe.com)  
[www.cemag-groupe.com](http://www.cemag-groupe.com)