

SAFE-O-TRONIC® *access*  
Electronic Identification and Locking System



Next level *access*

SAFE-O-TRONIC® LSW Furniture locking system



# SAFE-O-TRONIC<sup>®</sup> *access* LSW

Wireless furniture locking system  
with online control confort

SAFE-O-TRONIC<sup>®</sup> *access* LSW revolutionises the organisation of cabinet locking systems. The system uses an innovative wireless network, thus offering convenient central control functions which can be retrofitted at any time and require no cabling at all.



# Efficient management functions

**Even in offline mode you have a wide range of efficient management functions at your disposal, which you can extend with further convenient control functions as required at any time without the need of system cabling.**

## **Fitting and handle in one solution**

The flat, optically appealing fitting design is available in black or white. The sturdy metal housing with integrated recessed grip ensures complete ease of use and is jet-proof in accordance with IP 65.

## **2-in-1 locking convenience via RFID and PIN code**

Use of cabinets and lockers is possible via RFID data carrier, or entirely without key via PIN code (e.g. in sauna area).

## **Easy assembly**

Clamping units which can be used on either side, left or right, and which have been designed for all door materials and conventional 4-point mounting facilitate installation.

## **Protection against undesired reservation**

Optimise your capacity by means of automatic opening or blocking, or approval of time limit extension.

## **Intelligent battery management**

Power supply with battery status indicator is provided either by alkaline or lithium cells in the form of a battery pack or for insertion in a battery holder.

## **Customised marking**

Optional laser-cut cabinet numbers on the exterior fitting alleviate the need for separate number signs.

## **Easy assembly and handling**

## **1 data carrier per guest for various cabinet areas**





# High level of operational and safety convenience

## Intuitive operation

Numerous convenience functions ensure complete ease of use for guests:

- Fast identification via RFID data carrier is guaranteed by a contactless alarm sensor
- All RFID technology solutions in accordance with ISO 14443 A (e.g. MIFARE) are available
- Convenient 1-hand operation thanks to power bolt drive
- Intuitive user guidance with visual and acoustic confirmation
- Display of cabinet number at info terminal

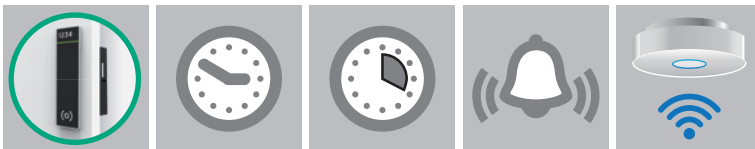
## Secure against tampering and break-in

- A lockout period protects against unauthorised opening attempts.
- In the event of an incident, the locking procedures can be read for control purposes and accurately evaluated. The logging functions can be adapted to the user's privacy protection.
- Emergency opening monitoring within the scope of precaution against theft protects users and operators from baseless suspicion.
- An acoustic alarm sounds in case of unauthorised opening and tampering.
- Break-in protection is certified according to DIN 4547.

## Integration

SAFE-O-TRONIC® access LSW can be integrated into data systems (e.g. guest management, PMS or membership management systems).

## Convenient control and alarm function





# Can be optionally retrofitted: Online convenience – as and when required

**Innovative wireless networking uses data concentrators, thereby enabling convenient control and monitoring of the wireless (!) system by means of a mouse click:**

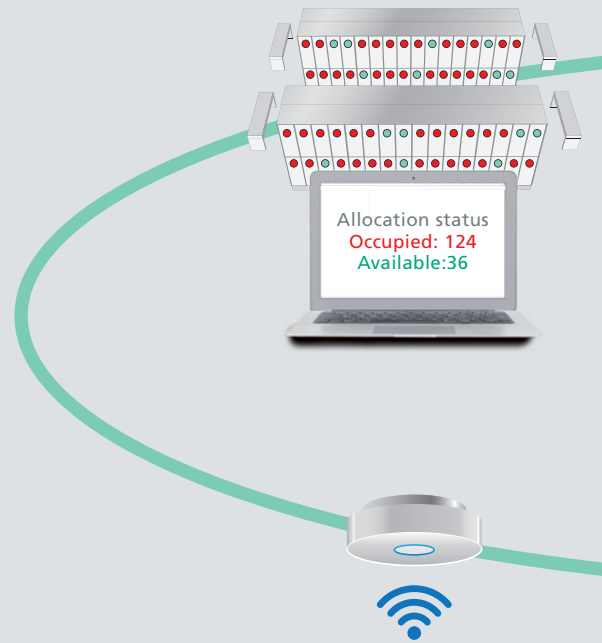
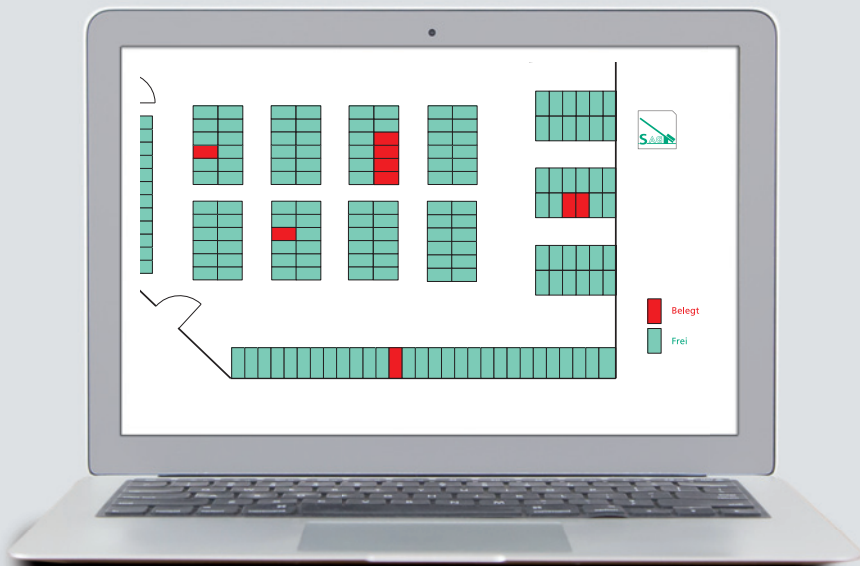
- Central release and blocking of cabinets
- Central allocation of cabinets (e.g. for families)
- Central control of the system for different user groups (e.g. VIPs, training groups or clubs)
- Central recording of cabinet occupation on a PC and/or guest monitors for quick location of an available locker in the changing area
- Every guest can use 1 locker each from up to 8 different locker areas (e.g. clothes locker, valuables locker, sauna locker or helmet locker)
- Silent alarm and signal in case of break-in and tampering, with alarm forwarding
- Battery status indicator
- High level of operational safety – even in case of wireless network failure



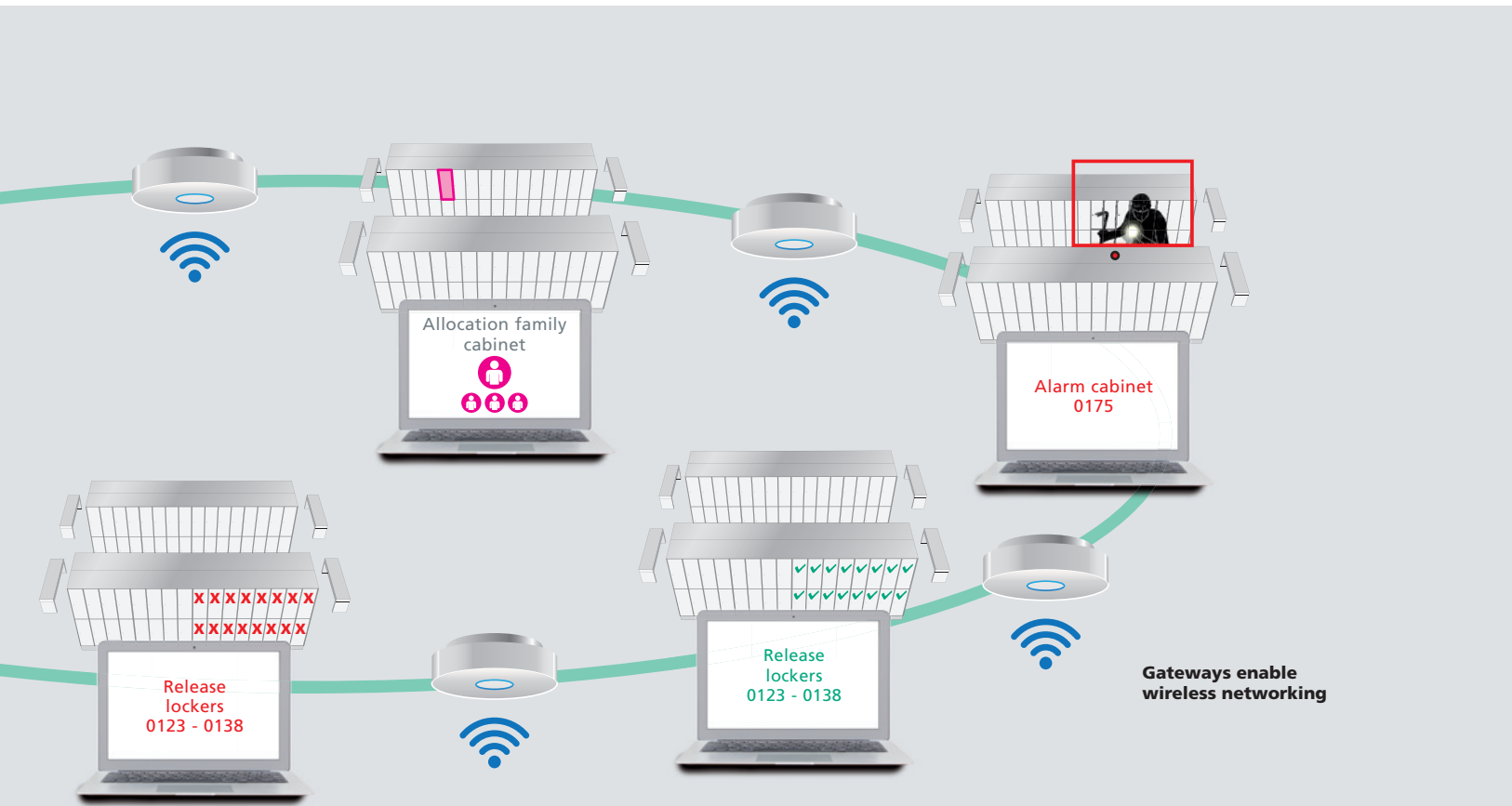


Control your locker system easily  
and conveniently with a click  
of the mouse.  
[Click here to view clip](#)





**System control and visualisation with the click of a mouse  
and user-friendly software**

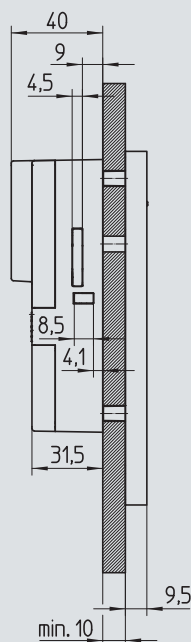
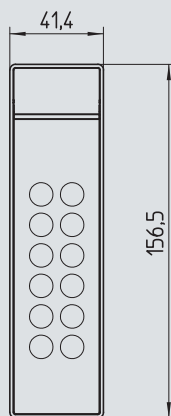


# Dimensions

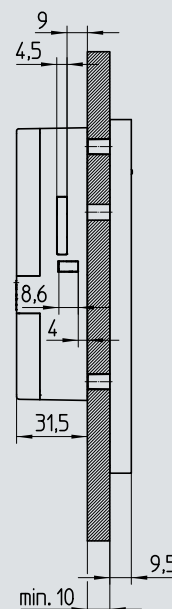
## Technical data

- Encrypted data communication
- Indicating elements: LED green, LED red
- Acoustic alarm: beeper
- Control unit dimensions (HxWxD):  
156.5mm x 42mm x 9.5mm
- Inner unit dimensions (HxWxD):  
120mm x 110mm x 40mm
- Battery compartment in inner unit (on inside of door)
- Battery lifespan:  
approx. 3 years/30,000 activations\*
- Protection class: exterior control unit IP 65,  
inner unit IP 43
- For door thicknesses of 10mm to 30mm
- Function temperature range: 0 to +60°C
- Storage temperature range: -15 to +70°C
- Relative humidity:  
10 – 90% non-condensing

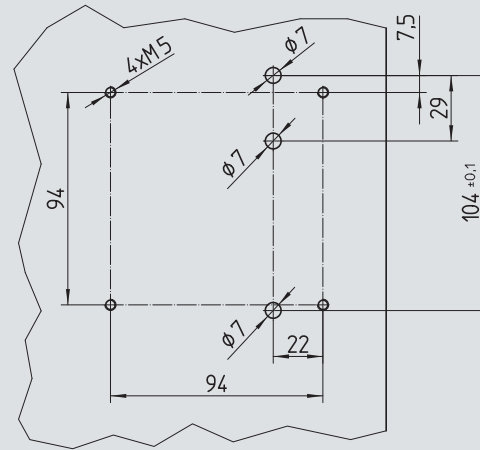
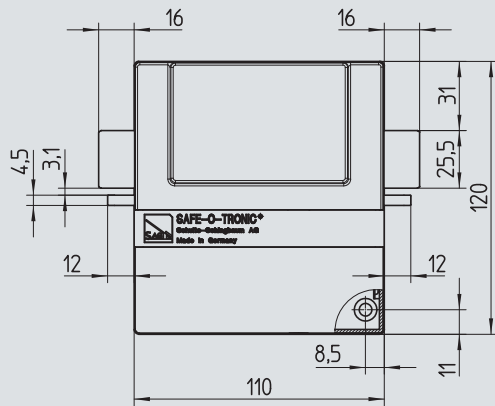
\* The battery lifespan depends on the ambient temperature, the setting parameters selected and the batteries used.



Version with special battery cover



Version with standard battery cover





**CEMAG-GROUPE**

7, rue Gaston Prétot – Parc d’Activités des Courts Cantons  
25200 Montbéliard – France

Tél. : +33 (0)3 81 32 19 95 – Fax : +33 (0)3 81 94 34 12

Mobile : +33 (0)6 09 59 13 49

Mail : [g.chauvez@cemaq-groupe.com](mailto:g.chauvez@cemaq-groupe.com)

[www.cemaq-groupe.com](http://www.cemaq-groupe.com)